

# ASSEMBLY INSTRUCTION

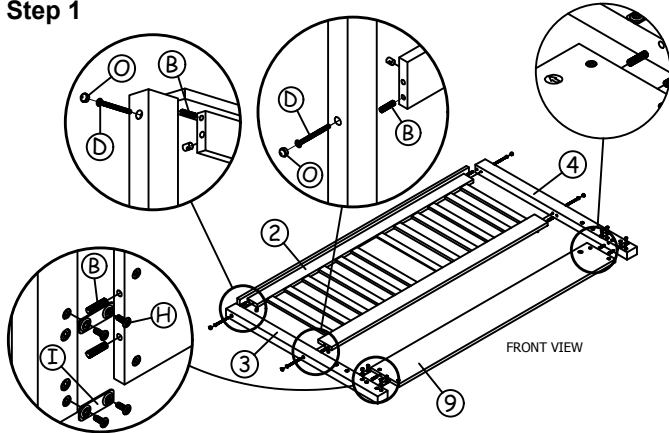
Note:  
 ■Read Instructions carefully.  
 ■Carefully identify each component especially those that are similar.  
 ■Separate and identify each component from the hardware pack and rest each one in its proper location before fastening.  
 ■Do not over tighten the screws or bolts when assembling.



## TOOL REQUIRED

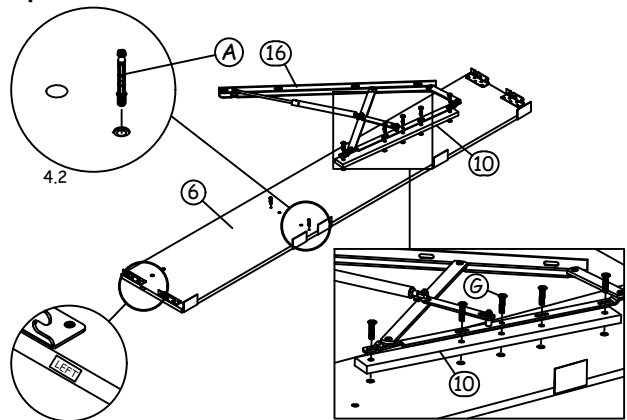


### Step 1



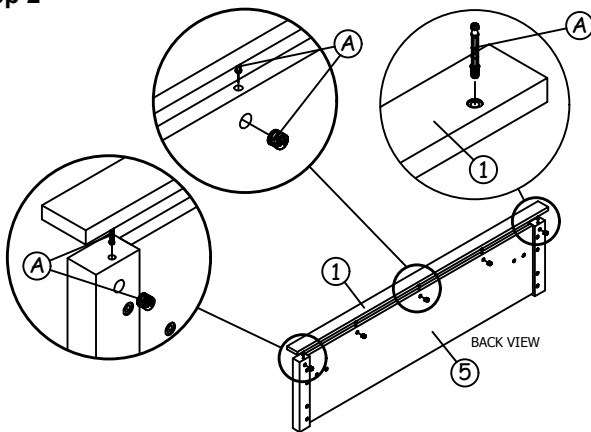
Attach the headboard frame (2) and back storage panel (9) to the left wooden post (3) and right wooden post (4). Secure the headboard frame using hardware parts B, D and O, then secure the back storage panel with hardware parts B, H and I.

### Step 4



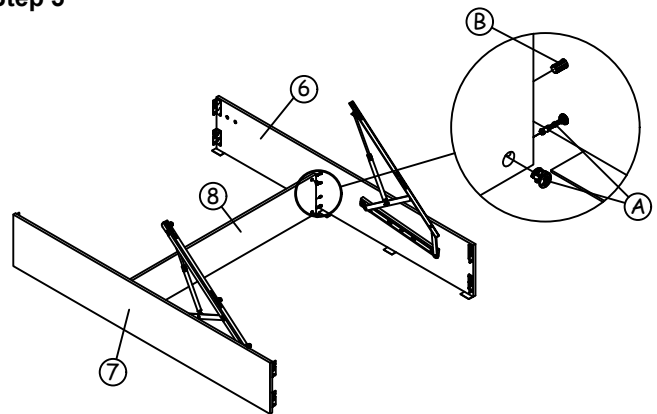
Fix the left & right hydraulic spacer together with hydraulic base supporter to the both side rails using bolts G and then screw the minifix part A to the both side rails as shown in diagram 4.2.

### Step 2



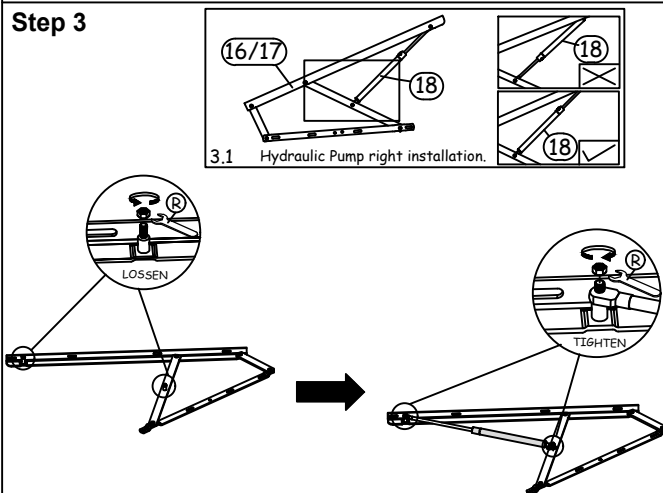
Firstly screw the minifix part A to the top bar (1) as shown and then fix the top bar (1) to the footboard frame (5) using hardware parts A.

### Step 5



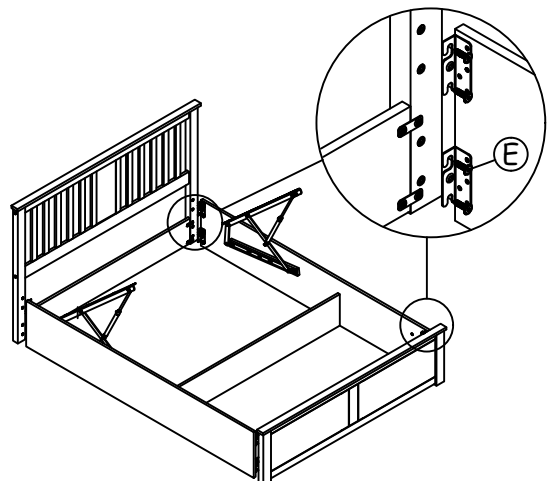
Join together the left side rail (6) and right side rail (7) with the centre storage panels (8) using hardware parts A and B.

### Step 3



Firstly, Loosen the Hex Nut from the Left & Right Hydraulic Base Support, then fix the hydraulic pump to each hydraulic base using the same Hex Nut & V. (shown in diagram 3.1.)

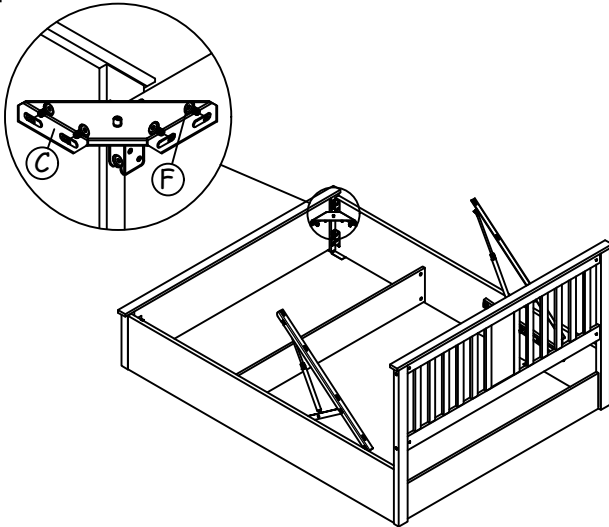
### Step 6



Fix side rail to the headboard and footboard with hardware as shown.

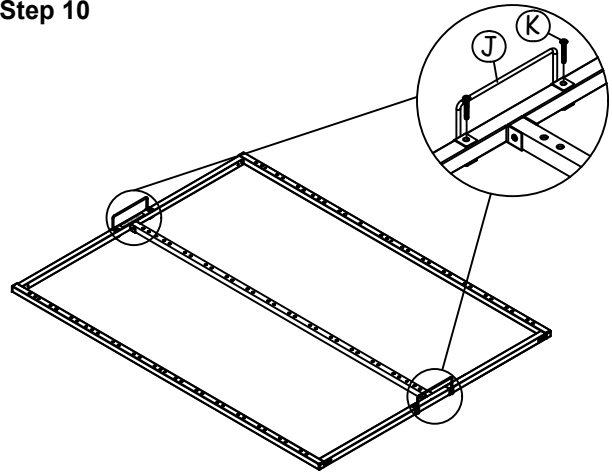
**Please follow our assembly instruction procedure for easier assemble.**

**Step 7**



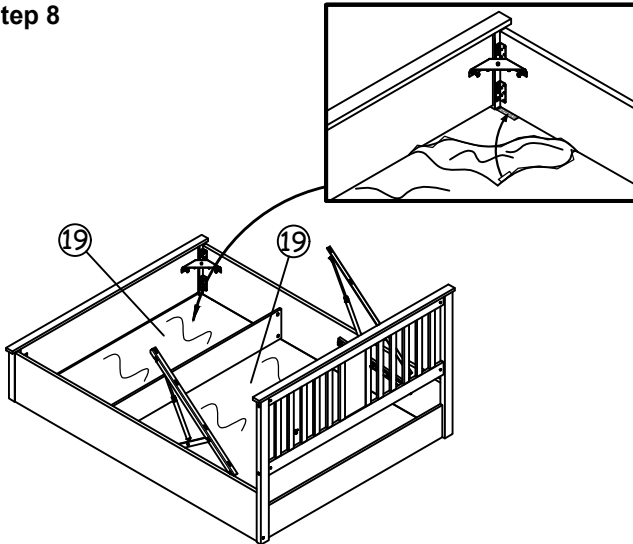
Fix metal corner block C to the edge of footboard and side rails with bolt F as shown.

**Step 10**



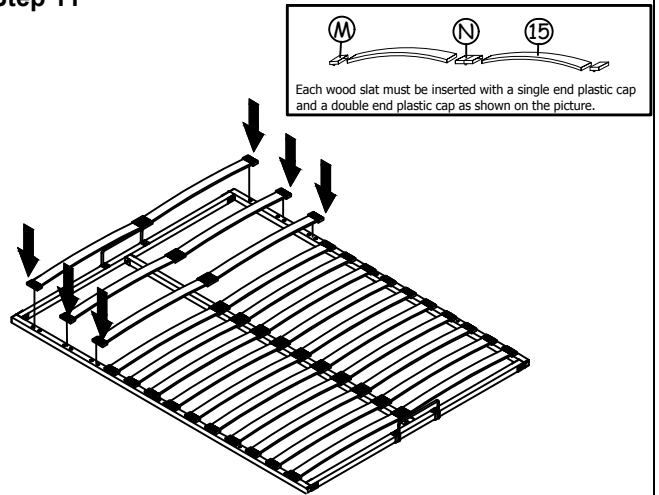
Attach hardware parts J using hardware part K.  
**Important note: Please assemble follow arrow direction.**  
 DO NOT use any power tools as this may damage the frame and will invalidate any claim.

**Step 8**



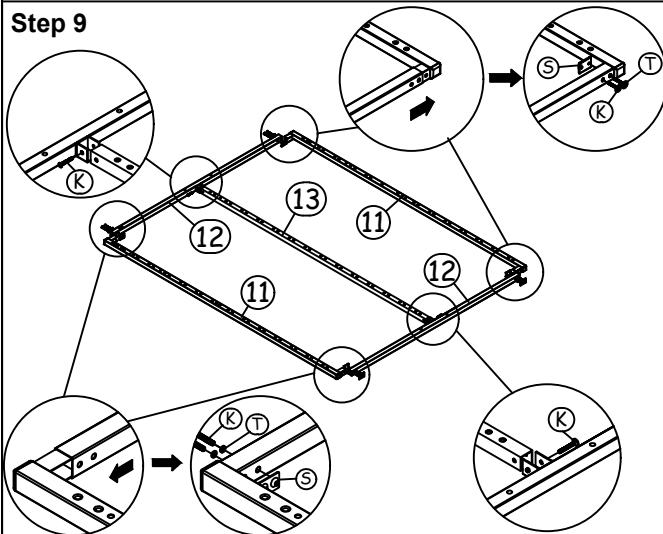
Attach Non-Woven Fabric Small and Big (19) at the bottom as shown in diagram.

**Step 11**



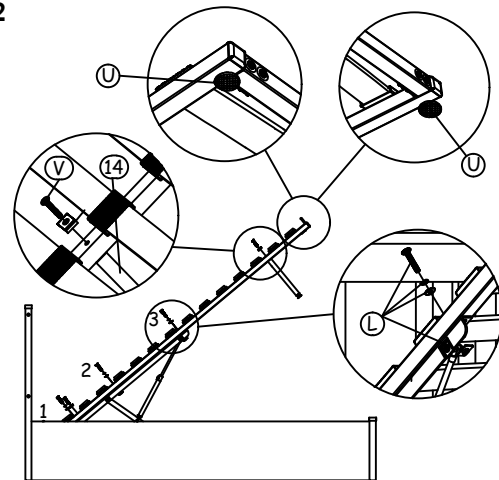
Insert the slats (15) to hardware parts M and N then press into the base making sure they are secure.

**Step 9**



Join together all the bed base parts (11),(12), and (13) by using hardware parts K,S,T.  
**Important note: Please assemble follow arrow direction.**  
 DO NOT use any power tools as this may damage the frame and will invalidate any claim.



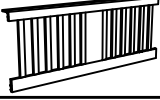



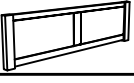

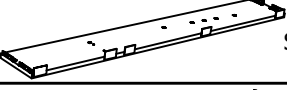

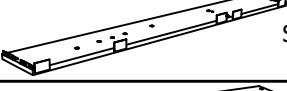
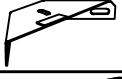




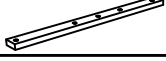



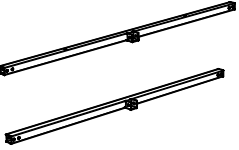



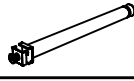
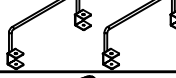


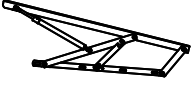

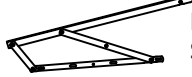











**Step 12**



Assemble the bed base on the right & left hydraulic frame and fix bolts L starting from ' 1 ' to ' 3 ' as shown and fix the support leg (14) to the bed base as shown and than stick it the self adhesive U as shown.  
**Important note : Do not tighten the bolts yet!**

**Please follow our assembly instruction procedure for easier assemble.**

# HARDWARE & PART LIST

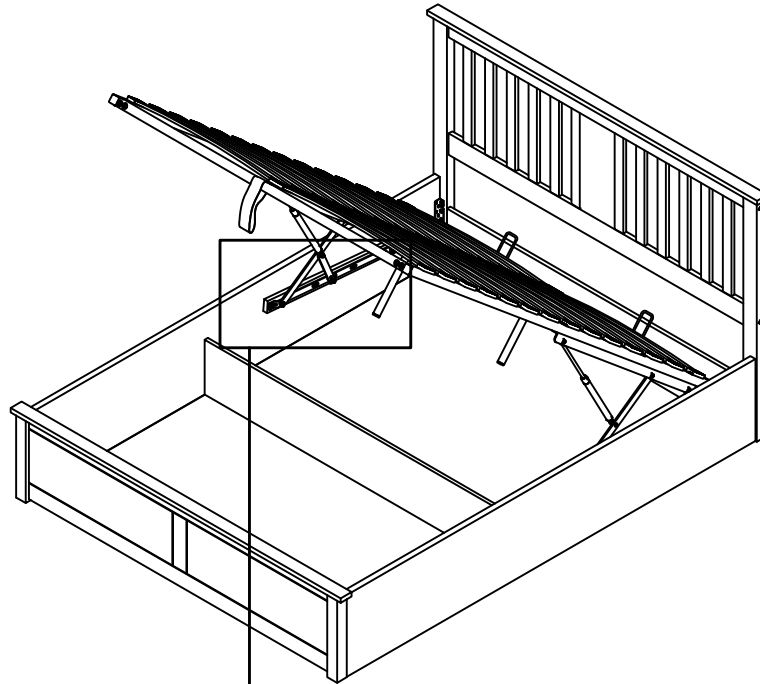
PART LIST			NO.	ITEM	QTY.
1	 FOOTBOARD TOP BAR	1 PC	19	 NON-WOVEN FABRIC SHEET SMALL	1 PC
2	 HEADBOARD FRAME	1 PC		 NON-WOVEN FABRIC SHEET BIG	1 PC
3	 WOOD POST (L)	1 PC	<b>HARDWARE LIST</b>		
4	 WOOD POST (R)	1 PC	NO.	ITEM	QTY.
5	 FOOTBOARD	1 PC	A	 MINI FIX	9 PCS
6	 SIDE RAIL (L)	1 PC	B	 8 X 30 mm WOODEN DOWEL	12 PCS
7	 SIDE RAIL (R)	1 PC	C	 METAL CORNER BLOCK	2 PCS
8	 CENTER STORAGE PANEL	1 PC	D	 M6 X 90 mm BARREL NUT RBW	4 PCS
9	 BACK STORAGE PANEL	1 PC	E	 M8 X 25 mm JCBB BOLT RBW	16 PCS
10	 HYDRAULIC ARM SPACER	2 PCS	F	 M8 X 15 mm JCBB BOLT RBW	8 PCS
11	 LEFT & RIGHT SIDE METAL BAR	2 PCS	G	 M8 X 35 mm JCBB BOLT RBW	10 PCS
12	 HEADBOARD & FOOTBOARD END METAL BAR	2 PCS	H	 M6 X 15 mm JCBC BOLT RBW	8 PCS
13	 CENTER METAL BAR	1 PC	I	 BRACKET 20 mm X 580 mm	4 PCS
14	 SUPPORT LEG	2 PCS	J	 BASE HANDLE	2 PCS
15	 SLAT	28 PCS	K	 M6 X 40 mm JCBC BOLT BLK	14 PCS
16	 LEFT HYDRAULIC BASE SUPPORT c/w PUMP STOPPER	1 PC	L	 M8 X 45 mm JCBB BOLT RBW WITH NUT, BRACKET, SPRING WASHER AND FLAT WASHER	6 PCS
17	 RIGHT HYDRAULIC BASE SUPPORT	1 PC	M	 SINGLE SLAT CAP	28 PCS
18	 HYDRAULIC PUMP	2 PCS	N	 DOUBLE SLAT CAP	14 PCS
			O	 WOODEN BUTTON	4 PCS
			P	 M4 ALLEN KEY	1 PC
			Q	 M5 ALLEN KEY	1 PC
			R	 M12.8 SPANNER	1 PC
			S	 WASHER BRACKET	4 PCS
			T	 FLAT WASHER BLK	8 PCS
			U	 SELF ADHESIVE 4mm X 35mm	2 PCS
			V	 M8 X 40 mm JCBB BOLT RBW (ASSEMBLED)	2 PCS

\*CAUTION : KEEP ALL HARDWARE PARTS OUT OF REACH OF CHILDREN\*

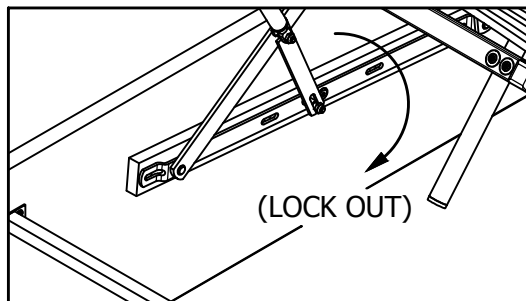
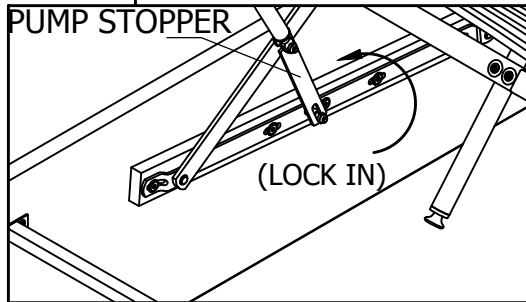
**Please follow our assembly instruction procedure for easier assemble.**

**CAUTION :**

PLEASE USE HYDRAULIC PUMP STOPPER FOR SAFETY PURPOSE.



HYDRAULIC PUMP STOPPER



## **" IMPORTANT NOTE "**

WHEN THE BED IS BUILT AND THE MATTRESS FRAME IS AT 45 DEGREE  
PLEASE PLACE THE MATTRESS ON THE BED.  
PLEASE NOTE THAT THE WEIGHT OF THE MATTRESS IS REQUIRED TO  
HELP CLOSE THE BED.  
TO LOWER THE SLEEPING PLATFORM STAND AT THE FOOT END OF THE  
BED AND PUSH SHARPLY  
DOWNWARDS USING BOTH HANDS.

